



FB1699 ZEN TOILET

Equipped with a 4.1 and 6 liters double flush system

PRODUCT DESCRIPTION:

White porcelain
 Contemporary style
 With glazed trapway
 One piece skirting toilet
 Integrated soft close seat
 800 + grams



BOX SIZE:

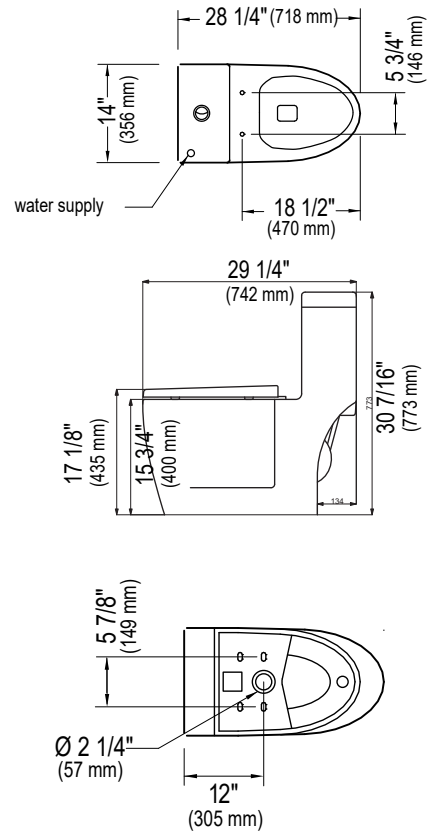
31" x 16" x 52"

NET WEIGHT:

134 lbs

GROSS WEIGHT:

137 lbs



Meets Canadian Standards Association standard B651-04.

*All dimensions are approximate and subject to change without notice. Please refer to the installation guide before beginning the installation.



Certification **ECORESPONSIBLE**
 First manufacturer of bathroom products in North America to be certified ecoresponsible.



Produits Neptune

6835, Picard street, Saint-Hyacinthe (Quebec) J2S 1H3
 Phone: (450) 773-7058 - Fax: (450) 773-5063
 produitsneptune.com



FB1699-1 ZEN TOILET

Equipped with a 6 and 4 liters double flush system

PRODUCT DESCRIPTION:

White porcelain
 Contemporary style
 Fully glazed trapway
 One piece toilet
 Integrated soft and removable close seat
 1000 + grams



BOX SIZE:

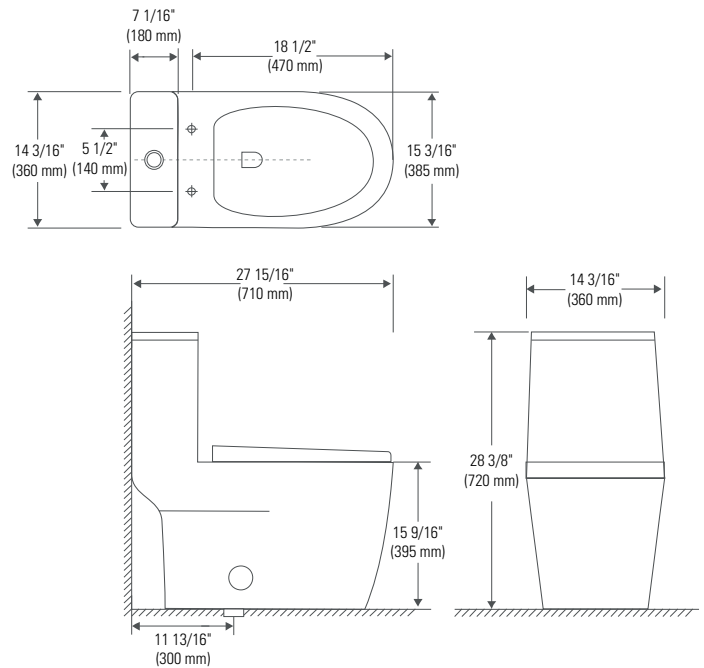
29 1/8" x 16" x 29"

NET WEIGHT:

99 lbs

GROSS WEIGHT:

105 lbs



Meets Canadian Standards Association standard B651-04.

*All dimensions are approximate and subject to change without notice.
 Please refer to the installation guide before beginning the installation.



Certification **ECORESPONSIBLE**
 First manufacturer of bathroom products in North America to be certified ecoresponsible.



Produits Neptune

6835, Picard street, Saint-Hyacinthe (Quebec) J2S 1H3
 Phone: (450) 773-7058 - Fax: (450) 773-5063

produitsneptune.com REV: 01-19