

ULYSSE

71 1/2" x 37 7/8" x 22 3/4"



PRODUCT DESCRIPTION:

5 days

Adjustable feet
 Traditional style
 Gloss finish resistant to stains and discoloration
 Acrylic thermoformed and reinforced with fiberglass

WATER CAPACITY: 55 gallons	IMMERSION: 14 3/8 po
BOX SIZE: 74" X 36 1/2" X 24 1/2"	
NET WEIGHT: 128 lbs	GROSS WEIGHT: 146 lbs

GENERAL OPTIONS

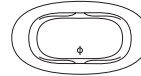
Acrylic Colors: White Biscuit* and Bone* (Allow 3 weeks delivery) Others*: (Allow 6 to 8 weeks delivery)	Standard
Nuance*: (Allow 3 weeks delivery)	
Chromotherapy 1 light (Specify trim color)	17.99999.0000.00
Chromotherapy 2 lights (Specify trim color)	17.99999.0001.00
Chromotherapy 4 lights (Specify trim color)	17.99999.0002.00
Handle (max. 4) (submit drawing with order)	95.7077.106.XX
D104 Waste Chrome	62.4020.101.60
Drain Adapter D-111-ABS	62.6010.103.00 or
D-111-PVC	62.6010.104.00
Gel black neck pillow (12"x 4 1/4 x 1 1/4")	18.6000.100.20

MASS-AIR/ACTIV-AIR OPTIONS

Mass-Air Jet finish: White/Chrome Biscuit/Chrome Bone/Chrome Others: Chrome/Chrome	Standard
Activ-Air Jet finish: Chrome, White, Biscuit, Bone	Standard
Blower Hose extension 96"	95.5013.168.00
144" Extension cord	95.3012.101.00

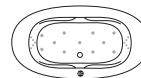
* Blower(s) must be installed in a remote location, extensions(s) provided.

*Customized products, non cancellable, non returnable.



Bathtub only

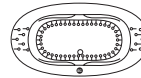
UL72



Mass-Air

UL72M*

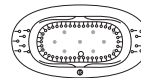
Included: 21 (11-10) injectors, Optima blower 750W (1 1/2 h.p.) with 300W heating element, 6' blower hose extension and backlit electronic control.



Activ-Air

UL72A

Included: 44 micro-jets, Optima blower 750W (1 1/2h.p.) with 300W heating element, 6' blower hose extension and backlit electronic control.



Mass-Air/Activ-Air Combo

UL72CMA*

Included: 44 Activ-Air micro-jets, 11 Mass-Air injectors, two Optima blowers 750W (1 1/2h.p.) with 300W heating element, two 6' blower hose extensions and backlit electronic control.



COMPLIANCE ATTESTATION
 Standard bathtubs
 CAN / CSA.B45.5
 Hydromassage Standards
 CAN / CSA.B45.10 / CSA.C22.2 / UL-1795



Certification ECORESPONSIBLE
 First manufacturer of bathroom products in North America to be certified ecoresponsible.



Produits Neptune
 6835, Picard street, Saint-Hyacinthe (Quebec) J2S 1H3
 Phone: (450) 773-7058 - produitsneptune.com

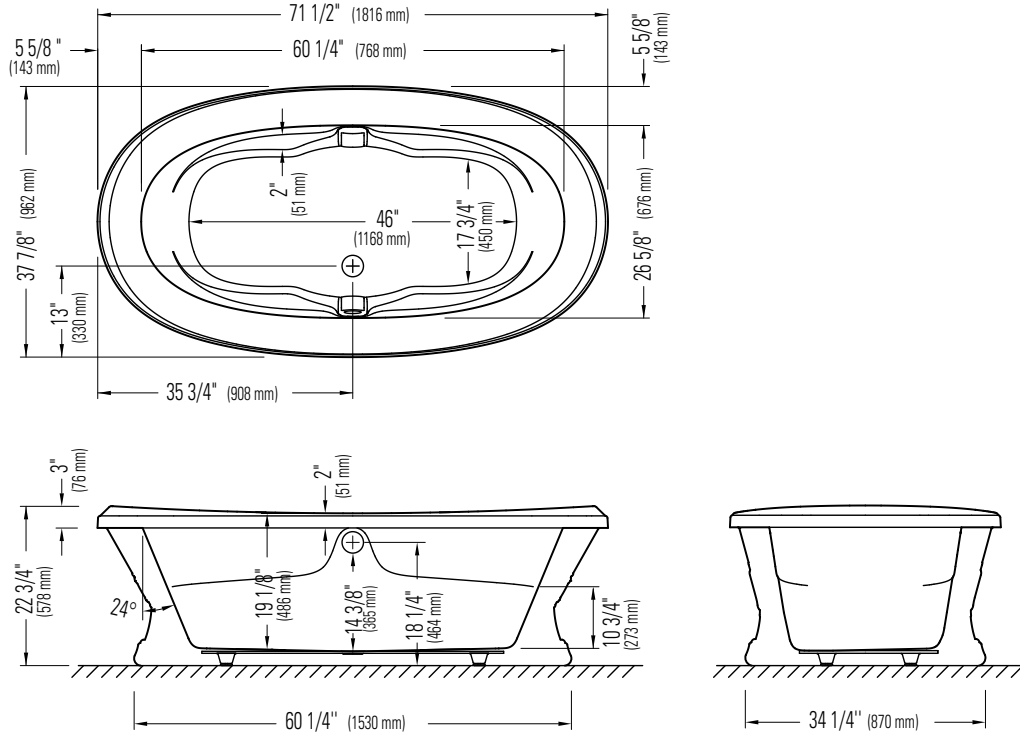
REV: 01-21



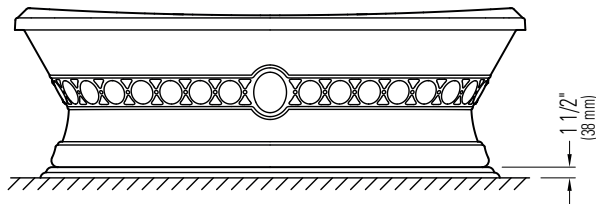
Produits Neptune

ULYSSE

Bathtub



Wood stand option



*A bathtub fitted with back jets can cause the pump to protrude by approximately 3" from the overall dimension.

**All dimensions are approximate and subject to change without notice. Please refer to the installation guide before beginning the installation