

RÉVÉLATION 3666F

65 7/8" x 35 3/4" x 24 1/8"



PRODUCT DESCRIPTION:	
Adjustable feet Transitional style Gloss finish resistant to stains and discoloration Acrylic thermoformed and reinforced with fiberglass	
WATER CAPACITY:	IMMERSION:
72 gallons	16 1/4 po
BOX SIZE:	
68" x 37" x 25"	
NET WEIGHT:	GROSS WEIGHT:
114 lbs	134 lbs

5 days

GENERAL OPTIONS

Acrylic Colors: White	Standard
Biscuit* and Bone* (Allow 3 weeks delivery)	Standard
Others*: (Allow 6 to 8 weeks delivery)	
Nuance*: (Allow 3 weeks delivery)	
Chromotherapy 1 light (Specify trim color)	17.99999.0000.00
Chromotherapy 2 lights (Specify trim color)	17.99999.0001.00
Chromotherapy 4 lights (Specify trim color)	17.99999.0002.00
Handle (1) (centered overflow's opposite side)	95.7077.106.XX
D105 Waste (20") Chrome	62.4020.102.60
Drain Adapter D-111-ABS 62.6010.100.00 or D-111-PVC 62.6010.101.00	
Gel black neck pillow (12"x 4 1/4 x 1 1/4")	18.6000.100.20
Rayola** (Specify control color)	

MASS-AIR/ACTIV-AIR OPTIONS

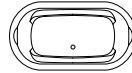
Mass-Air Jet finish: White/Chrome	Standard
Biscuit/Chrome	
Bone/Chrome	
Others: Chrome/Chrome	
Activ-Air Jet finish: Chrome, White, Biscuit, Bone	Standard
Blower Hose extension 96"	95.5013.168.00
144" Extension cord	95.3012.101.00

*** Blower(s) must be installed in a remote location, extensions(s) provided.**

*Customized products, non cancellable, non returnable.

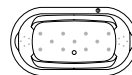
**Not available with a neck pillow.

Possibility to install the FEN 990240 and TARON 990340 faucets



Bathtub only

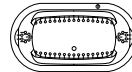
REV3666F



Mass-Air

REV3666FM*

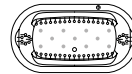
Included: 21 (11-10) injectors, Optima blower 750W (1 1/2 h.p.) with 300W heating element, 6' blower hose extension and backlit electronic control.



Activ-Air

REV3666FA*

Included: 48 micro-jets, Optima blower 750W (1 1/2 h.p.) with 300W heating element, 6' blower hose extension and backlit electronic control.



Mass-Air/Activ-Air Combo

REV3666FCMA*

Included: 48 Activ-Air micro-jets, 11 Mass-Air injectors, two Optima blowers 750W (1 1/2 h.p.) with 300W heating element, two 6' blower hose extensions and backlit electronic control.



Intertek

COMPLIANCE ATTESTATION
Standard bathtubs
CAN / CSA.B45.5
Hydromassage Standards
CAN / CSA.B45.10 / CSA.C22.2 / UL-1795



Certification ECORESPONSIBLE
First manufacturer of bathroom products in North America to be certified ecoresponsible.



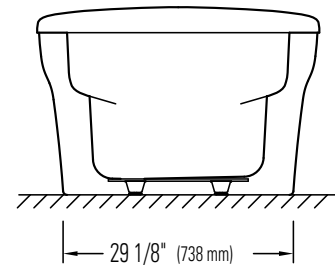
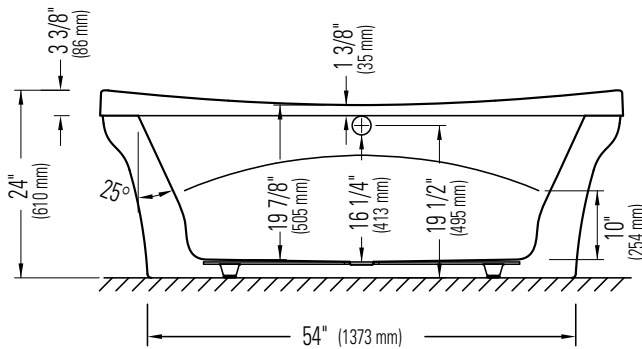
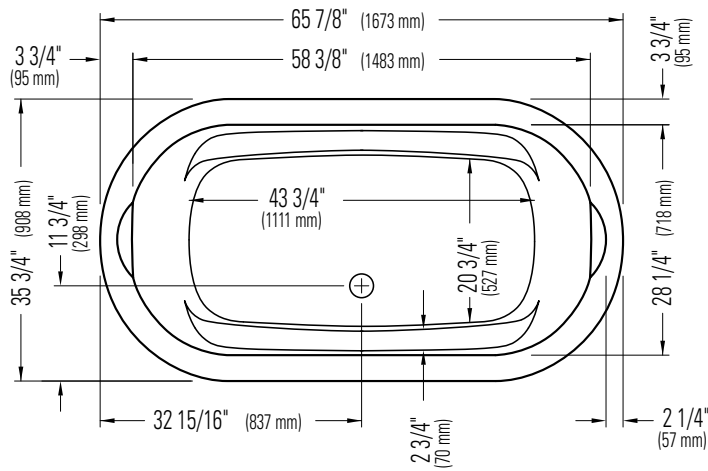
Produits Neptune
6835, Picard street, Saint-Hyacinthe (Quebec) J2S 1H3
Phone: (450) 773-7058 - Fax: (450) 773-5063
produitsneptune.com



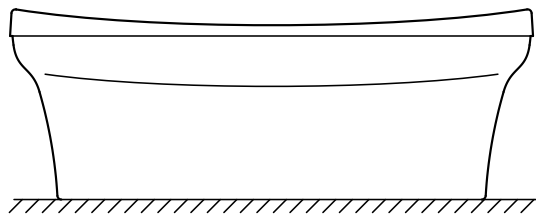
Produits Neptune

REVELATION 3666F

Bathtub



Vue de droite



**All dimensions are approximate and subject to change without notice.
Please refer to the installation guide before beginning the installation