

AMÉTY'S 3666

65 3/4" x 35 3/4" x 22"



PRODUCT DESCRIPTION:

Adjustable feet
Contemporary style
Gloss finish resistant to stains and discoloration
Acrylic thermoformed and reinforced with fiberglass
Available with armrests

5 days

WATER CAPACITY: 88 gallons	IMMERSION: 16 1/4 po
BOX SIZE: 68" x 37" x 25"	
NET WEIGHT: 129 lbs	GROSS WEIGHT: 149 lbs

GENERAL OPTIONS

Acrylic Colors: White Biscuit* and Bone* (Allow 3 weeks delivery) Others*: (Allow 6 to 8 weeks delivery)	Standard Standard
Nuance*: (Allow 3 weeks delivery)	
Chromotherapy 1 light (Specify trim color)	17.99999.0000.00
Chromotherapy 2 lights (Specify trim color)	17.99999.0001.00
Chromotherapy 4 lights (Specify trim color)	17.99999.0002.00
Handle (max. 2) (submit drawing with order)	95.7077.106.XX
D105 Waste (20") Chrome	62.4020.102.60
Drain Adapter D-111-ABS 62.6010.100.00 or D-111-PVC 62.6010.101.00	
Gel black neck pillow (12"x 4 1/4 x 1 1/4")	18.6000.100.20

MASS-AIR/ACTIV-AIR OPTIONS

Mass-Air Jet finish: White/Chrome Biscuit/Chrome Bone/Chrome Others: Chrome/Chrome	Standard
Activ-Air Jet finish: Chrome, White, Biscuit, Bone	Standard
Blower Hose extension 96"	95.5013.168.00
144" Extension cord	95.3012.101.00

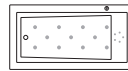
***Blower(s) must be installed in a remote location, extension(s) provided.**

*Customized products, non cancellable, non returnable.

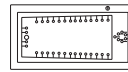
Possibility to install the FEN 990240 and TARON 990340 faucets



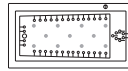
Bathtub only (ZEN 3666 2" bathtub with contour skirt) **AM3666**
(with armrests) **AM3666W**



Mass-Air **AM3666M**
(with armrests) **AM3666WM**
Included: 16 (11-5) injectors, Optima blower 750W (1 1/2 h.p.) with 300W heating element, 6' blower hose extension and backlit electronic control.



Activ-Air **AM3666A**
(with armrests) **AM3666WA**
Included: 49 micro-jets, Optima blower 750W (1 1/2h.p.) with 300W heating element, 6' blower hose extension and backlit electronic control.



Mass-Air/Activ-Air Combo **AM3666CMA**
(with armrests) **AM3666WCMA**
Included: 49 chrome Activ-Air micro-jets, 11 Mass-Air injectors, two Optima blowers 750W (1 1/2h.p.) with 300W heating element, two 6' blower hose extensions and backlit electronic control.



COMPLIANCE ATTESTATION
Standard bathtubs
CAN / CSA.B45.5
Hydromassage Standards
CAN / CSA.B45.10 / CSA.C22.2 / UL-1795



Certification ECORESPONSIBLE
First manufacturer of bathroom products in
North America to be certified ecoresponsible.



Produits Neptune

6835, Picard street, Saint-Hyacinthe (Quebec) J2S 1H3
Phone: (450) 773-7058 - Fax: (450) 773-5063
produitsneptune.com



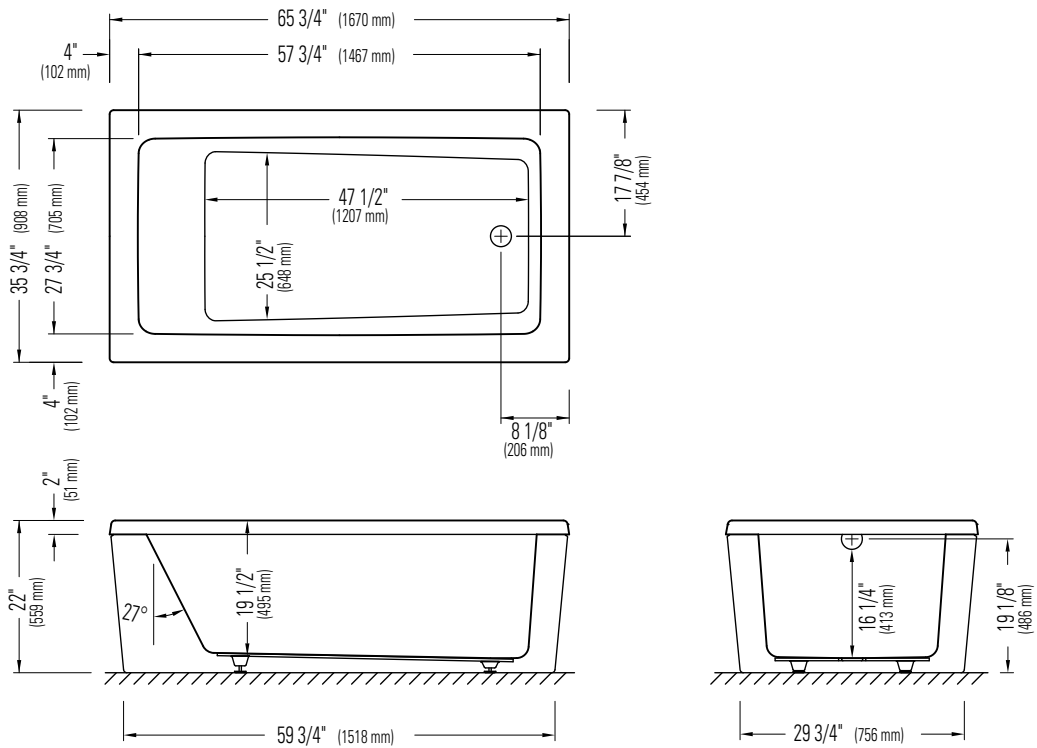
Produits Neptune

AMETYS 3666

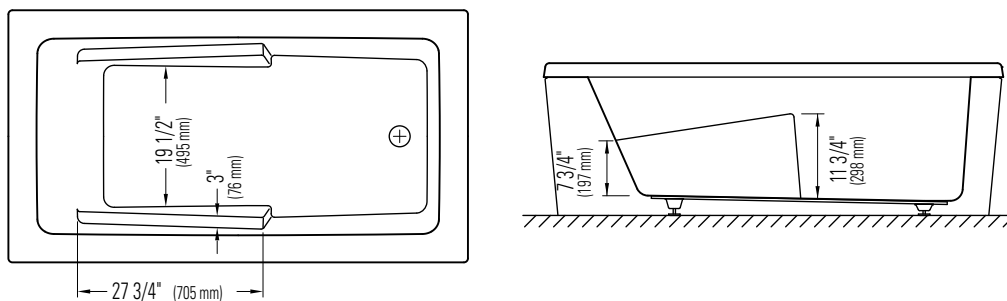
WITH OR WITHOUT ARMRESTS

Bathtub

Without armrests



With armrests



*All dimensions are approximate and subject to change without notice.
Please refer to the installation guide before beginning the installation